

INTERCOOLER KIT INSTALLATION MANUAL



Installation must be done by a professional.

Read this manual prior to the installation.

Always have access to this manual as well as a factory service manual.

※ Make sure the vehicle is applicable to this kit.

NAME OF PRODUCT	INTERCOOLER KIT
USE	AUTOMOBILE PARTS
PART NUMBER	13001-AH006
APPLICATION	HONDA CIVIC HB DBA-FK7
ENGINE	L15C
YEAR	2017/9~
REMARKS	<ul style="list-style-type: none"> ▪ Standard Installation Time: 6 hours ▪ CVT vehicle unconfirmed

※Application was confirmed as of July, 2020.

REVISION OF MANUAL

Rev. Number	Date	Manual Number	Details
3-3.01	2020/7	E04251-H16030-00	1 st Edition

Published in July, 2020 by HKS Co., Ltd. (Unauthorized reproduction is strictly prohibited.)

INDEX

NOTICE / ATTENTION / SAFETY PRECAUTIONS	14
PARTS LIST	15
1. REMOVAL & MODIFICATION OF FACTORY PARTS	16
2. INSTALLATION OF KIT PARTS	20
3. REINSTALLATION OF FACTORY PARTS & OPERATION CHECK	22

NOTICE



This manual assumes that you have and know how to use the tools and equipment necessary to safely perform service operations on your vehicle. This manual assumes that you are familiar with typical automotive systems and basic service and repair procedures. Do not attempt to carry out the operations shown in this manual unless these assumptions are correct. Always have access to a factory service manual. To avoid injury, follow the safety precautions contained in the factory service manual.

ATTENTION

- This manual indicates items you need to pay attention to in order to install this product safely and lists precautions to avoid any possible damage and/or accidents.
- This product is an automobile part. Do not use for any other purposes.
- HKS will not be responsible for any damage caused by incorrect installation and/or use, or use after modification and/or dismantling of this product.
- This product was designed based on installation onto a specific factory vehicle.
- The specifications of this product are subject to change without notice.
- The instructions are subject to change without notice. Make sure to refer to the most recent instructions.

SAFETY PRECAUTIONS

The following precautions for use of this product are to prevent possible accidents and/or injuries and for proper use.

 WARNING	Indicates risk of serious injury and/or possible death.
 CAUTION	Indicates risk of damage to people or large-scale damage to property. (Large-scale damage is the damage caused by a product defect. Ex. Damage to a vehicle, burnout, etc.)

PARTS LIST

No.	Product	QT	Remarks
P1	Intercooler core	1	
P2	Inlet pipe	1	
P3	Outlet pipe	1	
P4	Hose ϕ 60 L=55	2	
P5	Spacer	2	
P6	Hex bolt M6-1.0 L=30	2	
P7	Hex bolt M6-1.0 L=20	2	
P8	Spring washer M6	4	
P9	Large flat washer M6	2	
P10	Flat washer M6	2	
P11	Hose band #40	4	
P12	Rubber mount	2	
P13	Instruction manual	1	
P14	Installation manual	1	

Vehicle with Intercooler Kit

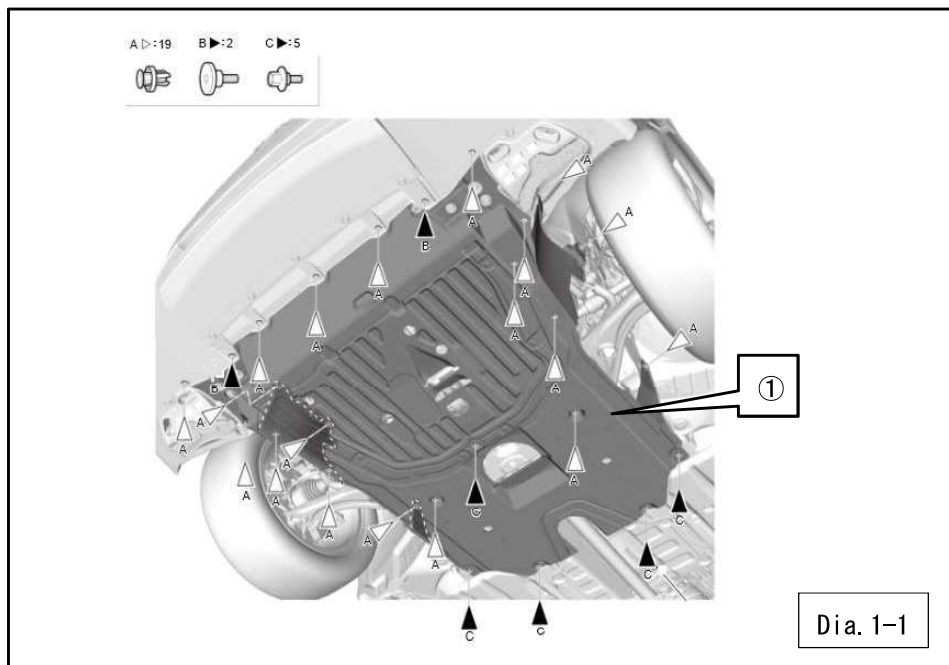


1. REMOVAL & MODIFICATION OF FACTORY PARTS

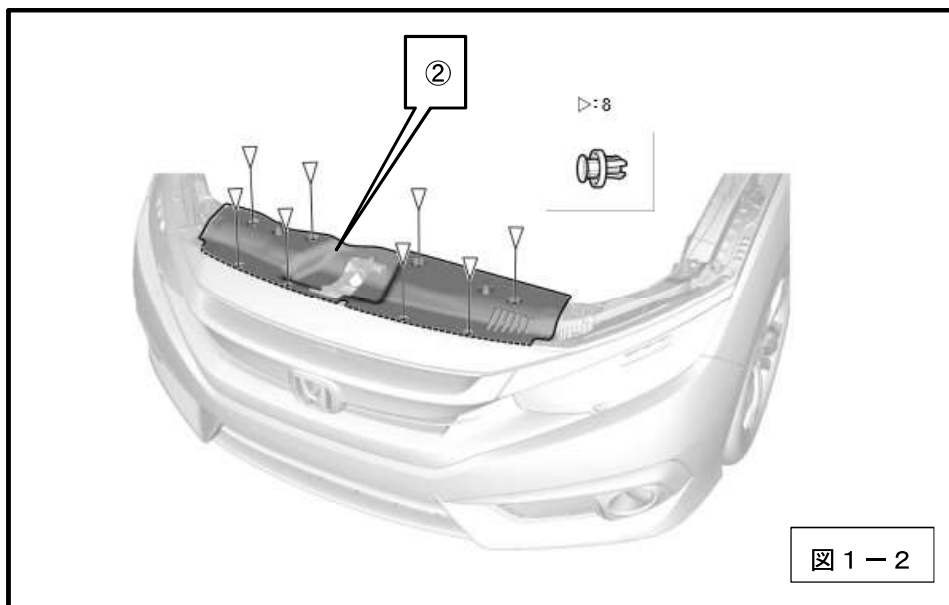
Before beginning removal of the factory parts, disconnect the negative cable from the battery terminal.

Use this instruction manual and the manufacturer's service manual as a reference.

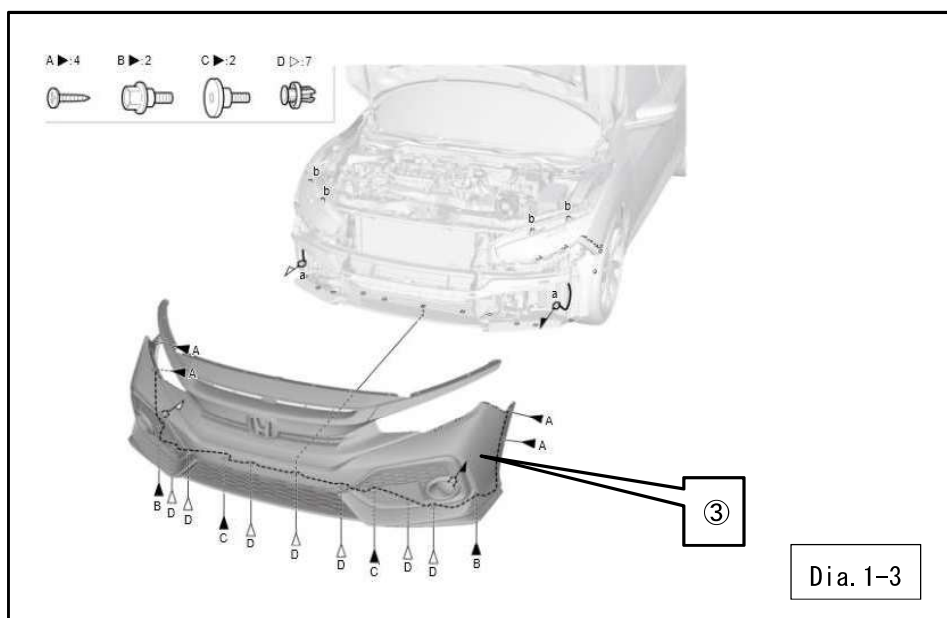
(1) Remove the ①Undercover. (Dia.1-1)



(2) Remove the ②Front grill cover. (Dia.1-2)



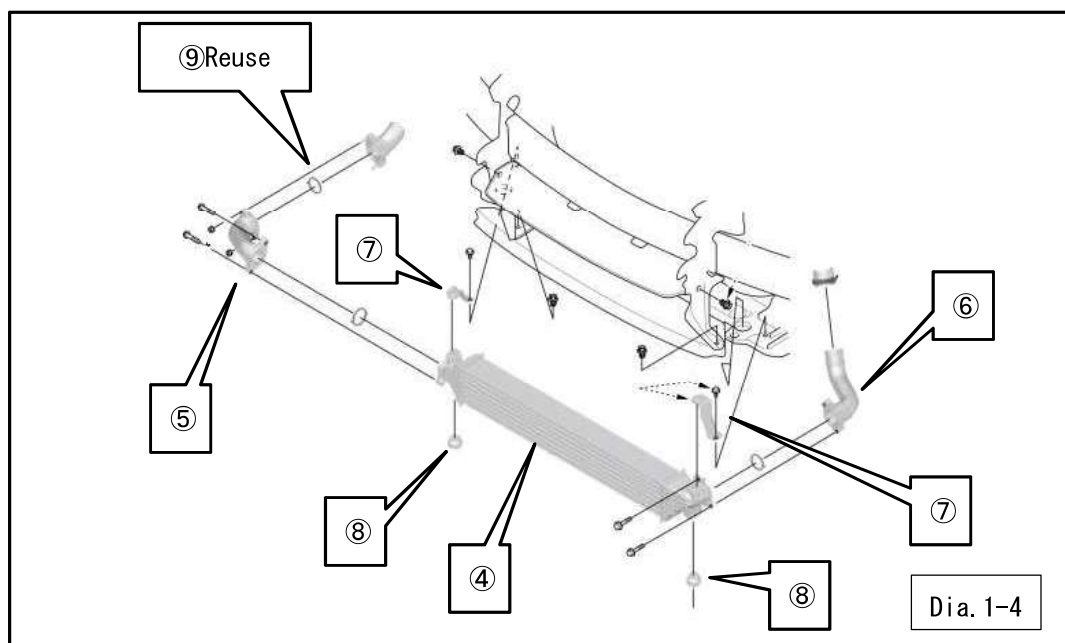
(3) Remove the ③Front bumper. (Dia. 1-3)



(4) Remove the ④Intercooler, ⑤Inlet pipe, ⑥Outlet pipe, ⑦Intercooler bracket, ⑧Rubber bush. (Dia. 1-4)

Note

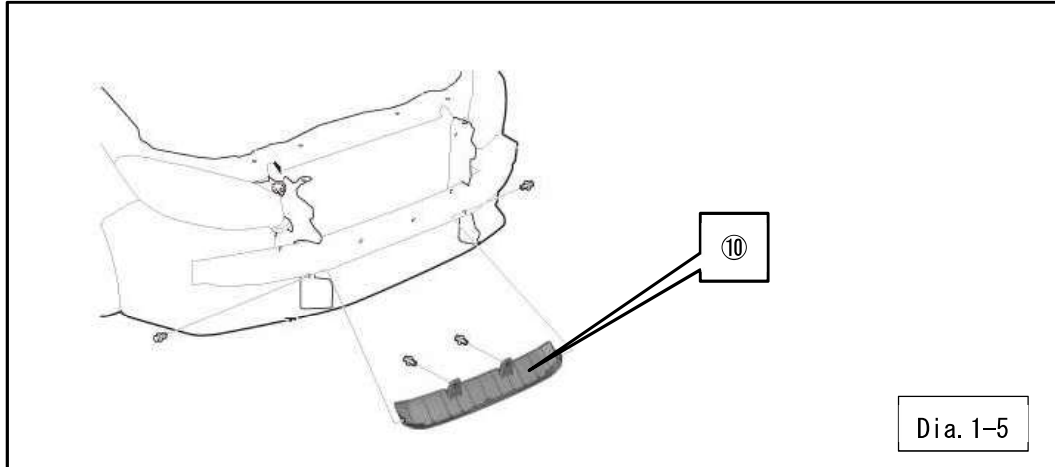
- Do not reuse ④, ⑤, ⑥.
- Reuse only the O-ring at position ⑨ shown in the figure.



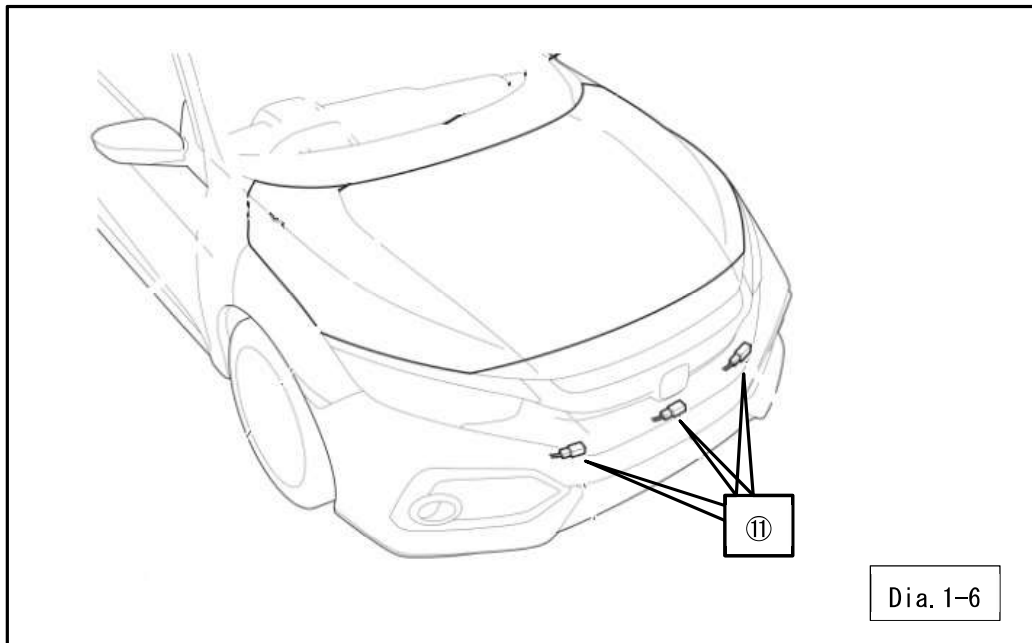
(5) Remove the ⑩Middle Induction Plate. (Dia.1-5)

Note

- Do not reuse ⑩Middle Induction Plate.



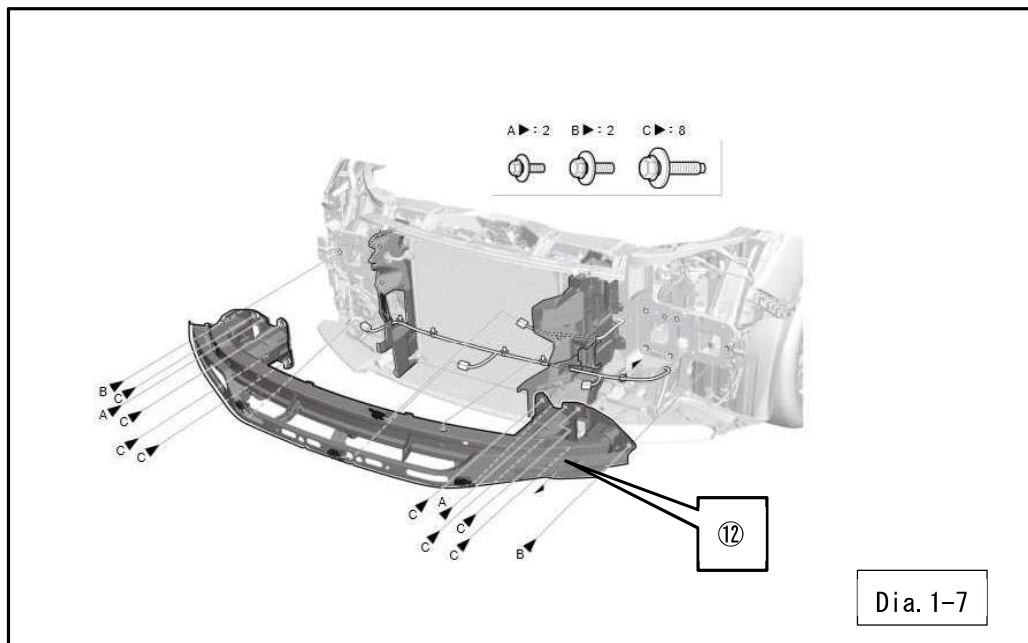
(6) Remove the ⑪Pedestrian sensor. (3 pieces) (Dia.1-6)



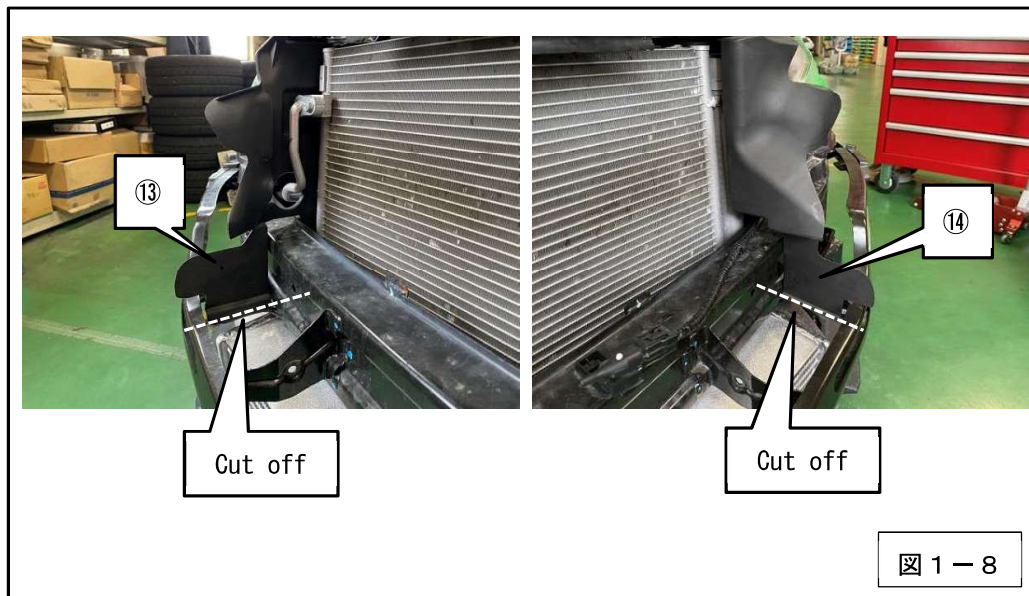
(7) Loosen the mounting bolts on the ⑫Front bumper safety plate. (Dia.1-7)

Note

- Do not completely remove the bolts, but loosen them until the ⑫Front bumper safety plate moves slightly.



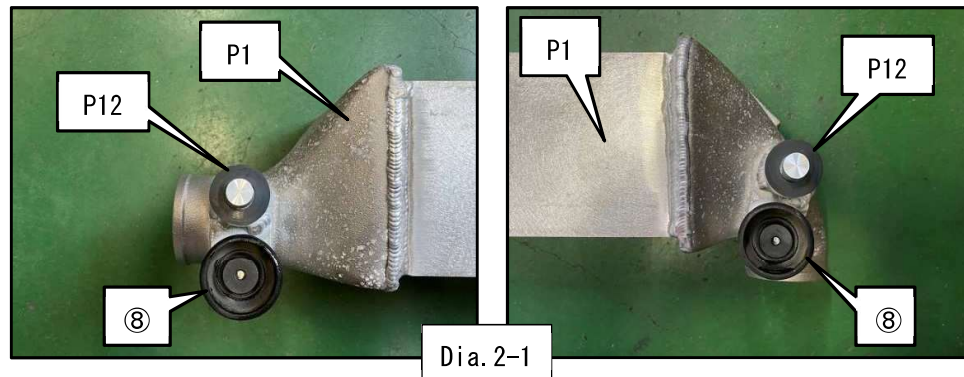
(8) Cut off the ⑬Intercooler air guide RH and ⑭Intercooler air guide LH at the positions indicated by the dotted lines in the figure. (Dia.1-8)



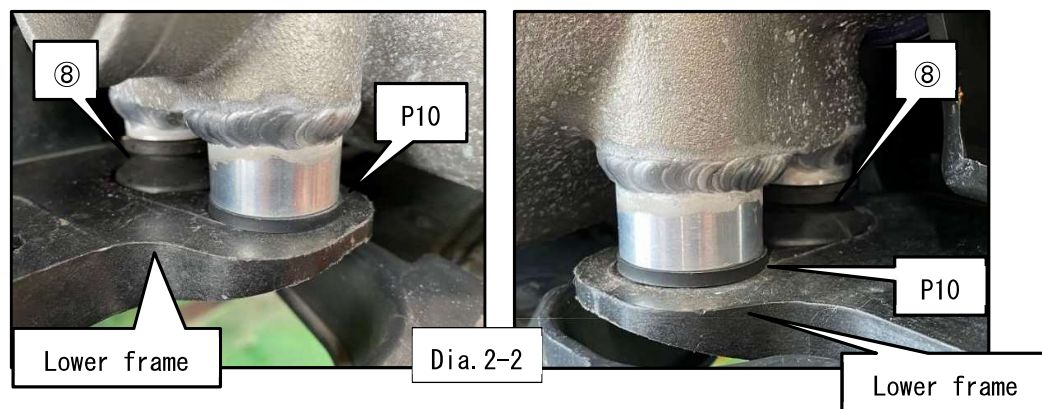
2. INSTALLATION OF KIT PARTS

(1) Attach the Rubber mount and the ⑧Rubber bush removed in 1. (4) to the Intercooler core. (Dia.2-1)

- P1 : Intercooler core ×1
- P12 : Rubber mount ×2
- ⑧ : Rubber bush ×2



(2) Attach the Intercooler core to the Lower frame. (Dia.2-2)



(2) Attach the intercooler bracket removed in 1. (4) to the lower frame.

(Dia. 2-3)

P5 : Spacer × 2

P6 : Hex bolt M6-1.0 L=30 × 2

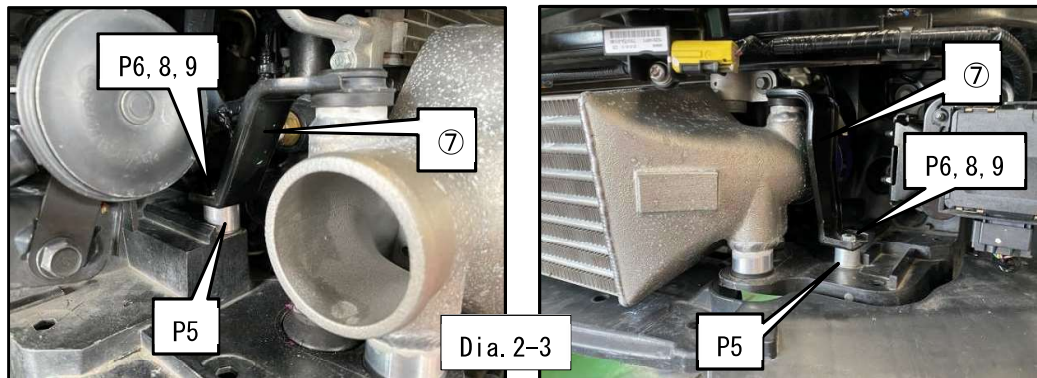
P8 : Spring washer M6 × 2

P9 : Large flat washer M6 × 2

⑦ : Intercooler bracket × 2

Tightening Torque (N · m)

T=12



(3) Attach the inlet pipe to the intercooler core. (Dia. 2-4)

P2 : Inlet pipe × 1

P4 : Hose φ60 L=55 × 1

P7 : Hex bolt M6-1.0 L=20 × 2

P8 : Spring washer M6 × 2

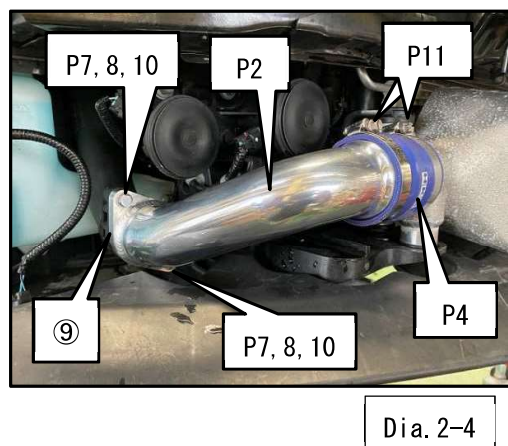
P10 : Flat washer M6 × 2

P11 : Hose band #40 × 2

⑨ : O-Ring × 1

Tightening Torque (N · m)

T=12

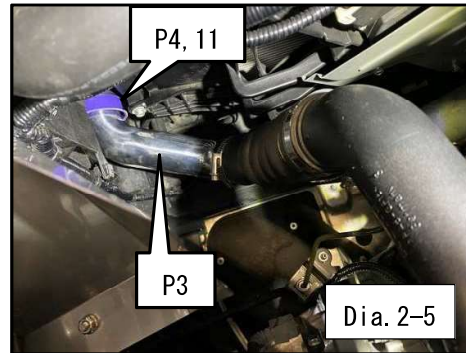


(4) Attach the Outlet pipe to the Intercooler core. (Dia.2-5)

P3 : Outlet pipe ×1

P4 : Hose ϕ 60 L=55 ×1

P11 : Hoseband #40 ×2



3. REINSTALLATION OF FACTORY PARTS & OPERATION CHECK

- (1) Attach the ⑫Front bumper safety plate.
- (2) Attach the ⑪Pedestrian sensor. (3pieces)
- (3) Attach the ③Front bumper.
- (4) Attach the ②Front grill cover.
- (5) Attach the ①Under cover.
- (6) Attach the negative terminal of the battery.
- (7) Start the engine and check the following.
 - No interference between parts.
 - No air leakage.

※ After completing the installation work, be sure to perform the confirmation work according to the "Confirmation after installation" in the instruction manual.



HKS Co., Ltd.

7181 Kitayama, Fujinomiya, Shizuoka 418-0192, Japan

<http://www.hks-power.co.jp>